



Instruction and Practice Manual

Axiom Sports Manufacturing
A Division of Fitec International
3525 Ridge Meadow Parkway
Memphis, TN 38175
(901) 366-9144
www.axiomsports.com

Thank you for purchasing the Axiom Sports Pitch Master. The Pitch Master is a versatile, two-wheel pitching machine that is perfect for a variety of players from beginners to the more experienced participants. Used properly, your Pitch Master will provide years of use.

KEY PITCH MASTER FEATURES

- ⇒ **5-Position Variable Speed Control** — Pitches balls from 40mph to 80 mph, satisfying all player levels from Little League to college
- ⇒ **Adjustable Pitching Head for Curves, Sliders, Fastballs, Grounders & Fly Balls** — The pitching head rotates in several directions for fine-tuning pitches into the strike zone, changing pitches, and for defensive practice
- ⇒ **State of the Art Electronics** — Onboard computer chip provides exact settings for the amount of break for curves and sliders, faster recovery speed between pitches, and maximum accuracy and consistency within the strike zone
- ⇒ **Two-Wheel Performance** — Performance and versatility comparable to machines costing up to 3 times as much
- ⇒ **Multiple Ball Options** — Throws Axiom Sports Smooth Poly Balls and Dura-foam Dimple Balls (for a “real” baseball feel)
- ⇒ **Portable — Goes Anywhere** — Simply remove the legs to fit the entire unit into most sports bags
- ⇒ **Powered by Either AC or DC Current** — Simply plug the Pitch Master into any wall socket (using the included Pitch Master AC adapter), 12-volt battery (using the included DC adapter cords), or available Axiom Sports Power Station
- ⇒ **Durable ABS Polymer Construction** — Injection-molded from a high-tech ABS polymer that is both durable and lightweight
- ⇒ **One Year Factory Warranty** — The Pitch Master pitching machine is designed for years of problem-free use. If your machine requires service, please call 901-366-9144 for a return authorization and shipping instructions

IMPROVES BATTER REACTION SKILLS

The Pitch Master is designed to be placed 60 feet from the batter to simulate a real baseball environment. The rated speeds of 40mph to 80mph are achieved by using the provided Durafoam dimple baseballs with the machine positioned at the recommended distance.

The use of smooth poly balls will produce various reaction times based on the distance between the batter and the pitching machine. A major league fastball reaches home plate in less than 1/2 second. The same reaction time is simulated with the Pitch Master when the batter is approximately 45 feet away when using a smooth poly ball.

Polyballs decrease in speed dramatically compared to baseballs. Stepping back just a few feet will allow much more reaction time. In testing, we have found that a distance of 40 to 45 feet, with the machine set for 40mph (see Recommended Speed Settings Chart) provides reaction times similar to Little League pitching.

IMPORTANT NOTES

- ⇒ Use the Pitch Master with *Adult Supervision Only*
- ⇒ Use **ONLY** Axiom Sports Durafoam Dimple Balls #012666 or Smooth Poly Balls #012550 — use of ANY other type of ball will void the warranty. **DO NOT USE REAL BASEBALLS** with the Pitch Master
- ⇒ Use a grounded, 110-V outlet when operating the Pitch Master from a wall socket
- ⇒ Batter should **ALWAYS** wear protective head gear, preferably with a face guard
- ⇒ **NEVER** use the Pitch Master in or near water or in a high moisture environment
- ⇒ Always throw a few “test pitches” before batter steps into the batter’s box
- ⇒ **WARNING** — Never place any part of the body on or near any part of the pitching wheel or in front of the machine while it is in operation and/or connected to a power source

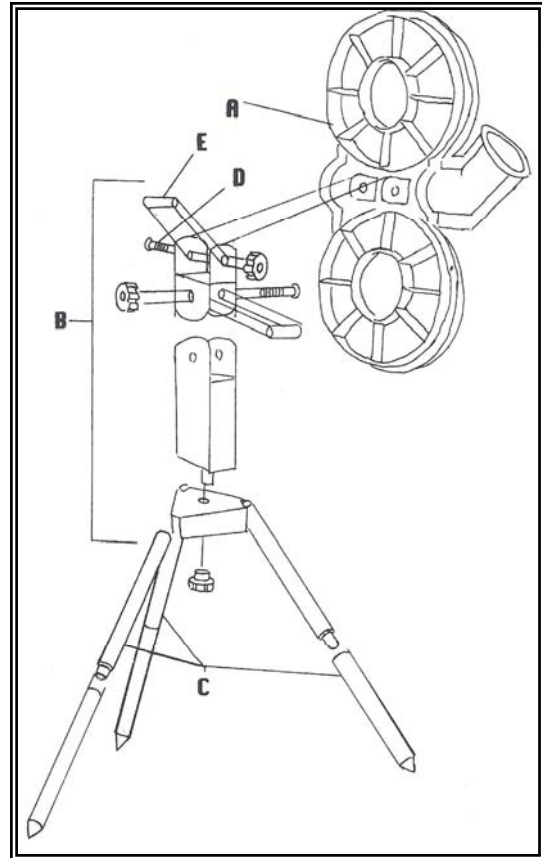
PARTS LIST

- Head Assembly — x1 (A)
- Base Assembly — x1 (B)
- Legs — x6 (C)
- Carriage Bolts — x3 (D)
- Aluminum Sleeve — x2 (E)
- Vertical Support Column — x1
- Adjustment Knobs — x3
- AC Adapter — x1
- DC Power Connectors — x1

If any of the parts listed above are damaged or missing, please contact Axiom Sports at 1-800-529-6664 x-125

ASSEMBLY INSTRUCTIONS

The Pitch Master consists of two (2) major components — the Head Assembly (A) and the Base Assembly (B)



- 1) Locate vertical support column and triangular base w/bolt & adjustment knob
- 2) Gently pull one front panel off of the vertical support column, unscrew adjustment knob from triangular base and remove bolt. Insert bolt through bottom of column (from the inside) through base and tighten with adjustment knob (**DO NOT OVERTIGHTEN**)
- 3) Locate all six (6) leg pieces. Insert section with tapered end into the opening on the section with the rubber "foot". Be certain pins snap into place. Repeat three times
- 4) Insert assembled leg sections into triangular base — make certain third pin faces inward and is supported by "V" segment in leg-mounting area on the base
- 5) Locate preassembled head/base assembly mounting bracket and disassemble adjustment knobs, aluminum sleeves, and carriage bolts

ASSEMBLY INSTRUCTIONS CONT.

- 6) Using the parts from step #5, slide one end of the mounting bracket over the vertical column (be certain to match the holes *exactly*). Place the aluminum sleeve in the center and pass the carriage bolt through the holes to the other side (be certain the square portion of the bolt fits into the square hole on the bracket). Tighten assembly with adjustment knob (**DO NOT OVERTIGHTEN**). Gently snap front panel back on to vertical column
- 7) With the remaining parts from step #5, slide the head unit on to the mounting bracket (be certain to match the holes *exactly*). Place the aluminum sleeve in the center and pass the carriage bolt through the holes to the other side (be certain the square portion of the bolt fits into the square hole on the bracket). Tighten assembly with adjustment knob (**DO NOT OVERTIGHTEN**)
- 8) Now go back and check all adjustment knobs for tightness. These knobs should be tight enough so the unit does not wobble or move *but not so tight you cannot unscrew the knobs when you want to move the pitching head* to use the full versatility of the Pitch Master



Fully and properly assembled
Pitch Master

BASIC OPERATION

Your new Pitch Master can be operated in a variety of configurations to simulate various pitches and field drills



AC POWER

- Insert the round adapter end of the AC power source into the "INPUT" plug on the control panel
- The "OUTPUT" plug on the control panel is for the optional Axiom Sports 24-Ball Feeder specially designed for the Mound Monster
- Turn "Power Switch" to ON and you are ready to go

PITCHING HEAD ORIENTATION

Configure the pitching head as indicated below to produce the desired result. Please note that there are three (3) basic set-up positions depending on the pitch to be thrown



Fastball
Vertical
Position



Curve Ball
Horizontal
Position



Slider 45°
Angle

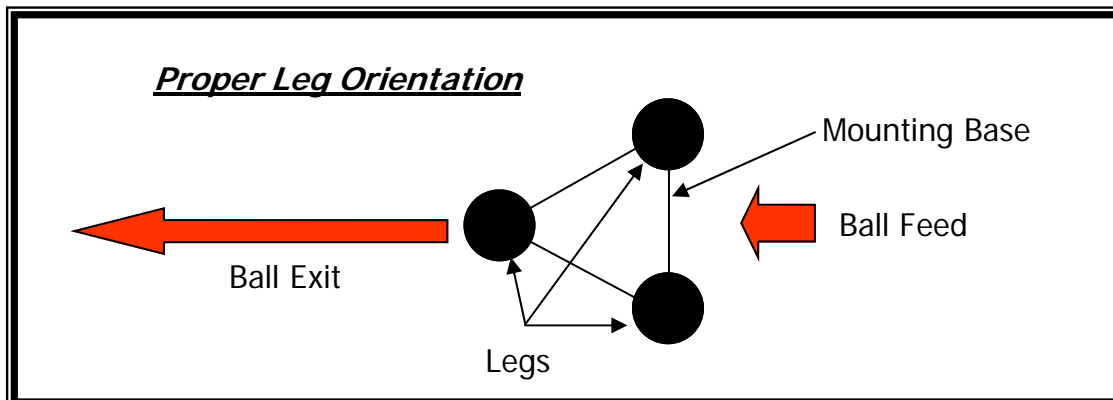
Drop ball into input chute (upwardly curved chute). Fine tune the strike zone by adjusting the head position using the tilt adjustment knobs and/or turning the entire unit slightly right or left. Axiom recommends the batter stand 60' away from the machine depending on skill level and type of balls used.

CAUTION

Before inserting the ball, point the pitching machine (the exit tube is indicated by the red arrow) toward a safe area. The ball exits the machine at a high velocity and can cause injury.

The Pitch Master is designed to operate most effectively by using Axiom Sports Durafoam Dimple Balls #012666 or Smooth Poly Balls, #12550/#12329. Damage to the machine caused by the use of other balls or objects will void the warranty.

Axiom Sports Durafoam Dimple Balls or Smooth Poly Balls are available wherever the Pitch Master is sold.



OPERATING INSTRUCTIONS

- 1) Adjust pitching head as described on page 6
- 2) Adjust the two (2) speed control knobs, located on the control panel, to the recommended settings for the type of pitch to be thrown. Please consult the speed setting charts below for assistance and recommendations

FAST BALL:		
80mph	Top Wheel — 3	Bottom Wheel — 5
60mph	Top Wheel — 2	Bottom Wheel — 4
40mph	Top Wheel — 1	Bottom Wheel — 3

CURVE BALL:		
80mph	Left Wheel — 5	Right Wheel — 2
60mph	Left Wheel — 4	Right Wheel — 1
40mph	Left Wheel — 3	Right Wheel — 1

CURVE BALL: These settings will cause the ball to break away from a right handed hitter. To reverse the curve simply reverse the two (2) motor settings shown above. See page 6 for head alignment example

SLIDER:		
80mph	Left Wheel — 5	Right Wheel — 2
60mph	Left Wheel — 4	Right Wheel — 1
40mph	Left Wheel — 3	Right Wheel — 1

SLIDER: Tilt the pitching head to the right at a 45° angle for a slider to break away from a right handed hitter. Tilt the pitching head to the left at a 45° angle for a slider to break into a right handed hitter. See page 6 for example

OPERATING INSTRUCTIONS CONTD

- 3) Throw a few "test pitches" and make any final adjustments to the machine before the batter steps into the batter's box. **Always make certain the batter is wearing protective head gear, preferably with a face guard**
- 4) The Pitch Master is also an excellent practice and training aid for refining and improving defensive skills required in the field. By tilting the head downward, the Pitch Master will throw ground balls. By tilting the head upward, the Pitch Master will throw long, high fly balls

POWER SOURCES

Your Pitch Master can be operated with standard 110-volt AC power with the included AC adapter. For added portability and convenience, your Pitch Master comes complete with a 12-volt power cord for use with a 12-volt battery (not included) such as a lawn mower, car, or boat battery. Insert the round end of this cord into the "input" plug on the control panel of the Pitch Master and then attach the red alligator clip to the positive (+) terminal of your battery and the black alligator clip to the negative (-) terminal of your battery. A fully charged battery will provide hours of fun and practice.

WARRANTY & SERVICE

The Pitch Master is covered by a one year warranty from the date of purchase. This warranty covers defects in materials or workmanship. During the first 12-months from the date of purchase, Axiom Sports will, at its discretion, repair or replace any defective part or unit at no charge if it is deemed by Axiom Sports to be the fault of manufacturing.

This warranty does not cover damage due to accident, abuse, or the use of any ball other than the recommended Axiom Sports Durafoam Ball. In order to activate your warranty, please complete the enclosed warranty card and mail it to Axiom Sports along with a copy of your dated sales receipt within 30-days of purchase.

FOR OWNERS RECORDS

Product Name: _____

Model #: _____ Serial #: _____

Date Purchased: _____

Where Purchased: _____

Date Warranty Card Sent to Axiom Sports: _____

PITCH MASTER ACCESSORIES & REPLACEMENT PARTS



Pitch Master 24-Ball Automatic Feeder

#012697

MSRP \$89.97



Pitch Master DC Power Cord

#012369

MSRP \$9.97



Power Station 12V DC Power Source

#014004

MSRP \$29.97



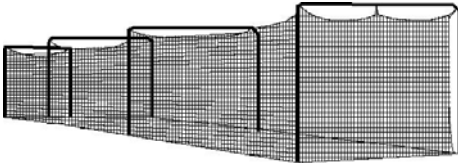
Durafoam Dimple Balls

12-Pack #012666, MSRP \$24.97



Smooth Poly Balls

6-Pack #012558, MSRP \$7.97

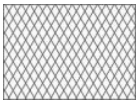


Backyard Batting Cage (Complete w/ Fittings):

40' x 10' x 10' #012703, MSRP \$299.97

60' x 10' x 10' #012710, MSRP 349.97

These nets require 3/4" EMT conduit for the support frame (available at most hardware stores). Approximate cost — 40' = \$90.00; 60' = \$120.00



#36 Batting Cage Barrier Net:

10' x 10' #81057, MSRP \$34.97



The Sock Net:

Sock Net 7' x 7' #81515, MSRP \$99.97

Frame 7' x 7' #81161, MSRP \$97.97



Fielder's Screen

Fielder's Net 7' x 7' #81508, MSRP \$69.97

Frame 7' x 7' #81161, MSRP \$97.97



Pitcher's "L" Net:

Pitcher's "L" Net 7' x 6' #81511, MSRP \$64.97

"L" Frame 7' x 6' #81160, MSRP \$99.97

REPLACEMENT PARTS

Replacement Wheel — #020013, \$19.97 ea



Should you encounter any problems **DO NOT RETURN THIS PRODUCT TO THE STORE** before reading this page.

If, after reading the following information you still need assistance, please call Axiom Sports at 901-366-9144

PITCH MASTER FREQUENTLY ASKED QUESTIONS

- ⇒ **My machine does not run** — Be certain that you are using the supplied AC power supply and that it is plugged into a working outlet. If you are using the optional Power Station or DC Power Cord, be sure that the remote power supply is fully charged and that all connections are tight
- ⇒ **My machine ran great but now throws erratically** — *With the machine turned off and unplugged*, look into the ball chute at the pitching wheels. Spin the wheels by hand to check if any surface material is missing or loose or if the wheel has excessive “wobble or play”. If you find either of these problems, please call Axiom Sports and a new replacement wheel will be provided free of charge for a period of one (1) year from date of purchase
- ⇒ **Balls do not pitch correctly** — Be sure you are using Axiom Sports Durafoam Dimple Balls or Smooth Poly Balls . Your Pitch Master is designed to work with these balls.
- ⇒ **I need parts/accessories** — Please call Axiom Sports at 901-366-9144

Axiom Sports Manufacturing
A Division of Fitec International
3525 Ridge Meadow Parkway
Memphis, TN 38175
(901) 366-9144
www.axiomsports.com